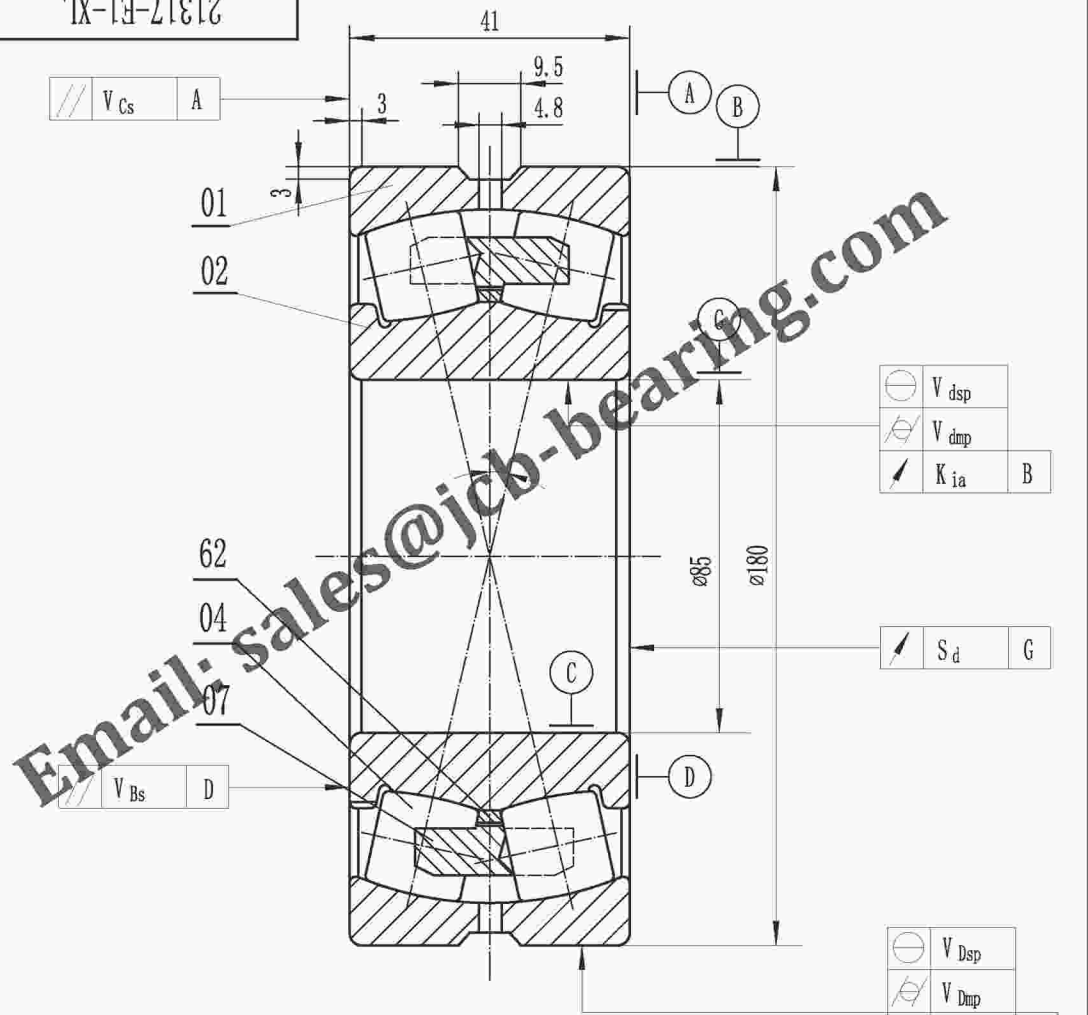


TX-IE-LIETZ



- 1, Tolerance of running accuracy are according to relevant state standard;
- 2, The value of the basic group of radial clearance: min 0.060 max 0.100 ;
- 3, Rated load: Cr=345 kN Cor=375 kN.

62	Guide ring	1	Steel 20—GB/T699			
07	Cage	2	Brass CuZn39Pb2—EN 1652:1997			
04	Roller		Steel 100CrMnSi6—4—ISO 683-17:1999			
02	Inner ring	1	Steel 100CrMnSi6—4—ISO 683-17:1999			
01	Outer ring	1	Steel 100CrMnSi6—4—ISO 683-17:1999			

No.	Designation	Qty	Material	unit	toatl	Remark
				Weight (kg)		

Luoyang JCB Bearing Technology Co., Ltd Contact information Company Address : No. 285, Fenghua road, Luoyang, Henan, China. Postal code : 471000 Phone :86-379-68611678 Fax : 86-379-68611679 E-mail: sales@jcb-bearing.com Reserved E-mail: sales@sphericalrollerbearing.net Website: www.jcb-bearing.com www.sphericalrollerbearing.net	Spherical Roller Bearing				21317-E1-XL	
				Weight(kg)	Scale	
	S			5.37	—	
	Total page 5			Page No. 1		
Luoyang JCB Bearing Technology Co., Ltd						